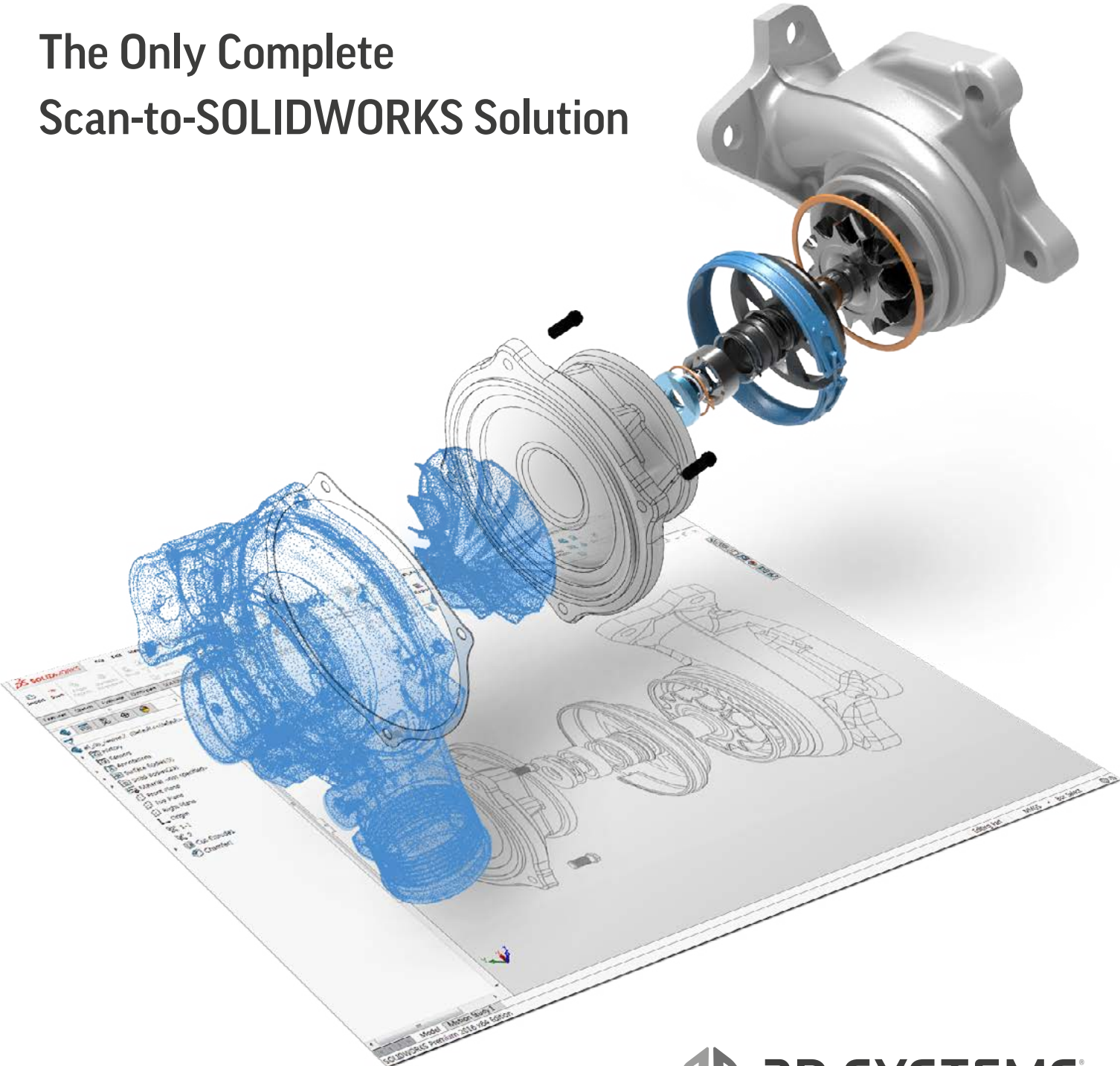


Gs Geomagic[®] for SOLIDWORKS[®]

The Only Complete
Scan-to-SOLIDWORKS Solution





Geomagic® for SOLIDWORKS®

Imagine being able to capture anything in the physical world and have a digital solid model of it in minutes.

Geomagic® for SOLIDWORKS® is the industry's most complete integrated Scan-to-SOLIDWORKS model solution. Reduce the time required to build complex 3D models of real world objects by directly scanning or importing scan data into SOLIDWORKS. The advanced, automated wizards quickly and easily create accurate sketches, surfaces or feature-based editable solid parts inside SOLIDWORKS.

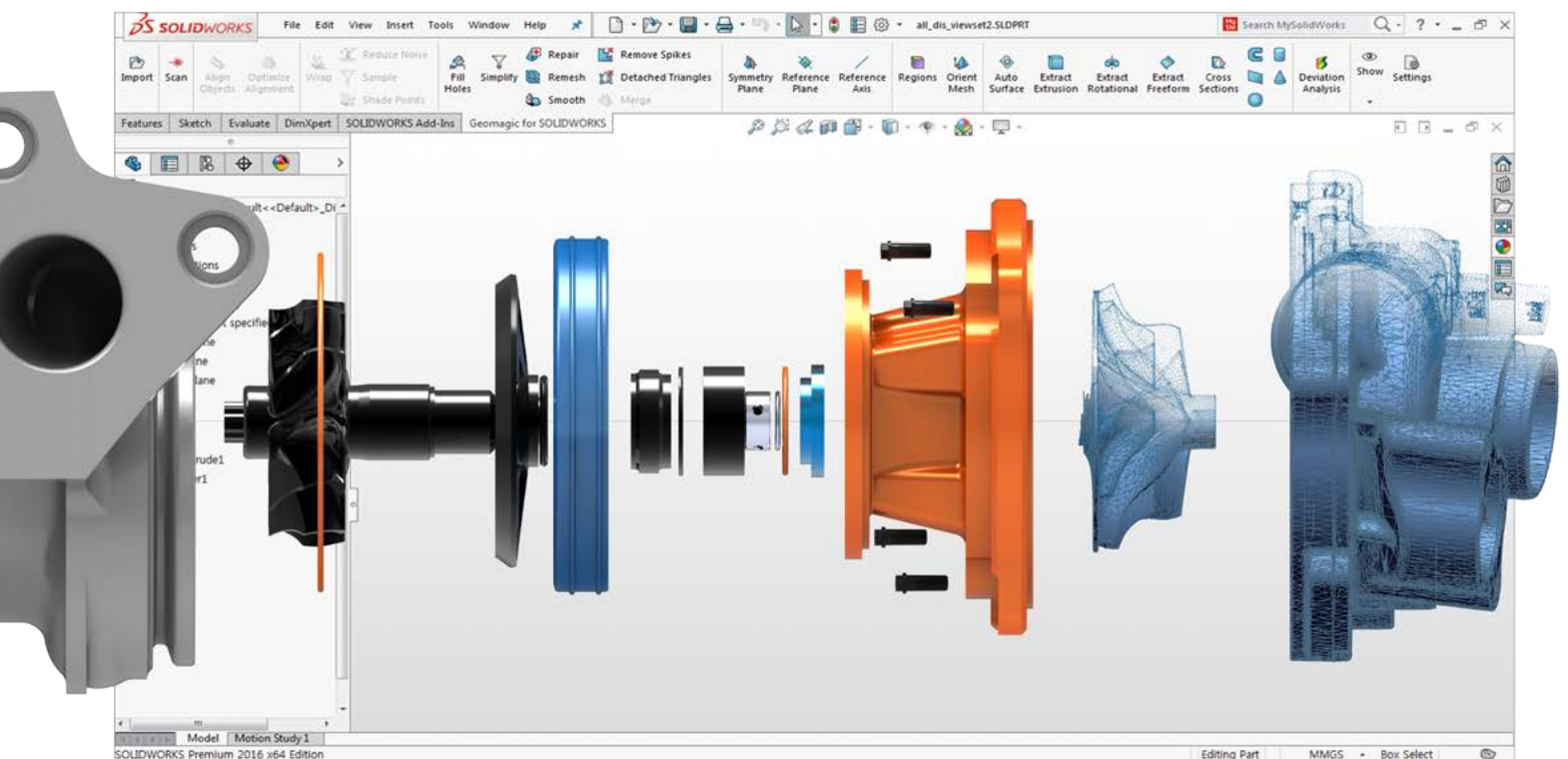
Geomagic for SOLIDWORKS is a software toolset that plugs directly into your SOLIDWORKS environment giving you advanced capabilities to make tools point clouds and polygons more usable in your design process. This software supports a range of popular 3D scanners as well as the import of standard point and polygon file formats. You can import data or scan directly in SOLIDWORKS and use the feature extraction wizards to extract CAD sketches, surfaces and solids.

Effortless Design At Your Fingertips

Use proven industry-leading tools from Geomagic directly inside your SOLIDWORKS environment. Easily create solid, feature-based parts using the precise scan registration, automated smoothing, mesh editing, auto sketch creation and intelligent extraction of feature tools implemented inside SOLIDWORKS. Make use of deviation analysis tools along-side your modeling process to confidently create CAD bodies that are accurate to your input scan data.

Rapidly Recover Lost Design Data

Lost design data? Have an old part with no drawings? Have worn or broken molds that need to be recreated? Bring legacy parts into a digital design environment and combine scan-driven modeling with dimension driven processes. Geomagic for SOLIDWORKS lets you quickly and easily create SOLIDWORKS parts for highly complex and broken parts in one seamless scan-based design workflow.



Open Up A World Of Possibilities With Geomagic For SOLIDWORKS

Geomagic for SOLIDWORKS is a bridge between physical parts and your CAD environment enabling rapid design, engineering, and production. Improve upon, learn from, customize and reuse designs that surround you every day. Bring physical objects into SOLIDWORKS and design around existing parts for perfect fits.

Do The Impossible

Create products that cannot be designed without reverse engineering. Build components that integrate perfectly with existing products or customized parts that require a perfect fit with the human body. Use proven industry-leading tools from Geomagic to make organic shapes useful in your SOLIDWORKS environment. Capture the design intent of complex geometry that cannot be measured any other way.

3D Comparison with Deviation Analysis

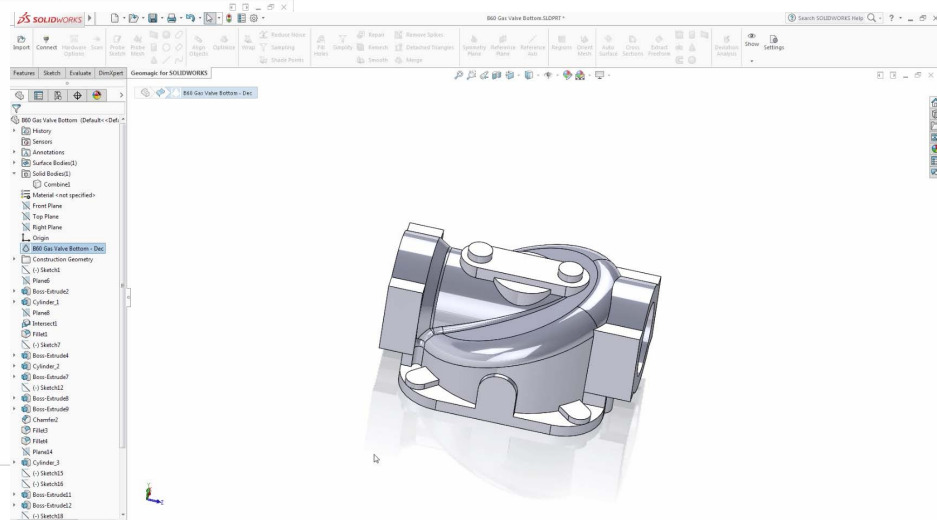
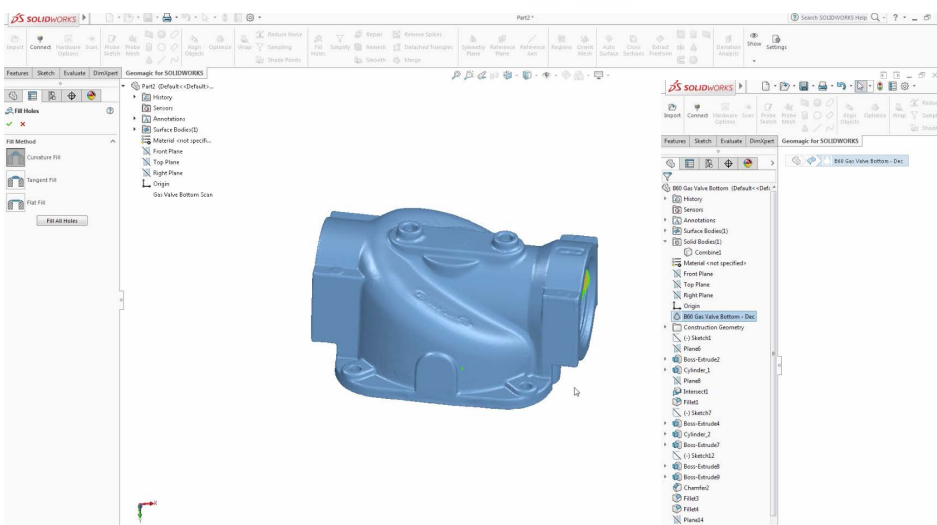
Quickly and easily compare a CAD object and a mesh object. Every wizard in Geomagic for SOLIDWORKS has a deviation analysis tool to check feature accuracy as you model. Get real-time information on your features to help make design decisions and maintain design intent.

Powerful and Flexible

Create solid parts with Geomagic for SOLIDWORKS. The combination of mesh editing and point cloud processing, automatic and guided feature extraction and accurate and fast exact surface fitting to organic 3D scans help create useful feature-based solid models. Now, you can scan virtually anything and create manufacturing-ready designs.

Scanning Freedom

Geomagic for SOLIDWORKS supports a range of industrial 3D scanners for direct Scan-to-SOLIDWORKS including Creaform, FARO, Hexagon, Nikon, Vialux and the Capture scanner from 3D Systems. Truly integrated 3d scanning and probing capability allow for non-contact measurement of complex or delicate shapes, as well as the contact measurement of geometric features.



Geomagic for SOLIDWORKS Feature List

Geomagic® for SOLIDWORKS® delivers the seamless ability to 3D scan directly into SOLIDWORKS and use integrated industry proven toolsets to create solid models directly and accurately in your design environment.

Direct Scanner Integration with Geomagic Capture and Other Popular 3D Scanners	Scan or Probe features and sketches directly inside SOLIDWORKS. Supported hardware includes: <ul style="list-style-type: none">• 3D Systems Capture• Artec Handheld Scanners (*via Artec Studio)• Creaform Handheld Scanners• Faro Scan Arms and Cobalt Array Imager• Hexagon Scan Arms• Nikon Scan Arms• Vialux 3D Scanners
Point Cloud Processing	Fast, automated processing
Polygonal Surface Creation	Mesh construction from point cloud or merging of multiple meshes
Polygon Processing Tools	<ul style="list-style-type: none">• Decimation• Noise reduction• Smoothing• Hole filling
Powerful Alignment Tools	<ul style="list-style-type: none">• Probe device alignment• Align your mesh to the World Coordinate System• Picked point alignment for multiple scan data sets
Automatic Surfacing	Automatic conversion of both organic and geometric objects to CAD solid
Mesh Cross Sectioning	Automatic curve and sketch creations
Intuitive Smart Selection Tools from Mesh	<ul style="list-style-type: none">• Extrude• Freeform surface• Revolve• Primitive feature fitting• Sweep
Intuitive Smart Selection Tools for Selecting Polygon Groups	<ul style="list-style-type: none">• Region• Box• Lasso• Polygon
Region Grouping Tools for Detailed Mesh Segmentation	Pre-processing step for intelligent feature extraction
3D Comparison with Deviation Analysis	Compare any time between mesh object and CAD object



middle east
3D PRINTING THE FUTURE

U.A.E Office : 3204, Prism Tower, Business Bay, P.O. Box 28820, Dubai, U.A.E.

K.S.A Office : Al Saif Tower, 6th Floor, King Abdullah Street, Near Intersection with Olaya Street, Riyadh, K.S.A.

Tel : +971.4.443.3853 ; Fax : +971.4.443.3938 ; Email : info@3d-me.com ; Website: www.3d-me.com

 **3D SYSTEMS**
DISTRIBUTOR | Middle East & North Africa